

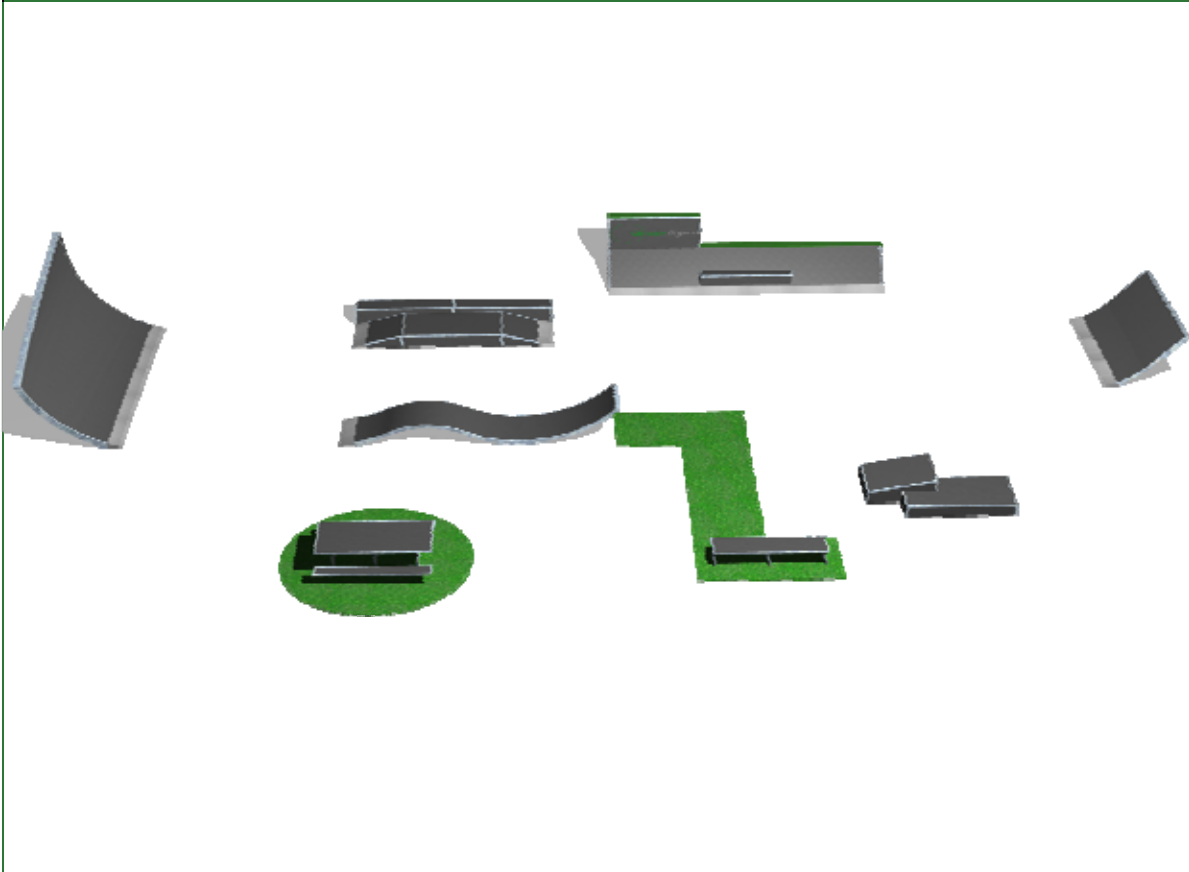
skate park



Skate park Equipment

Skate park 4

◀ 25m ▶

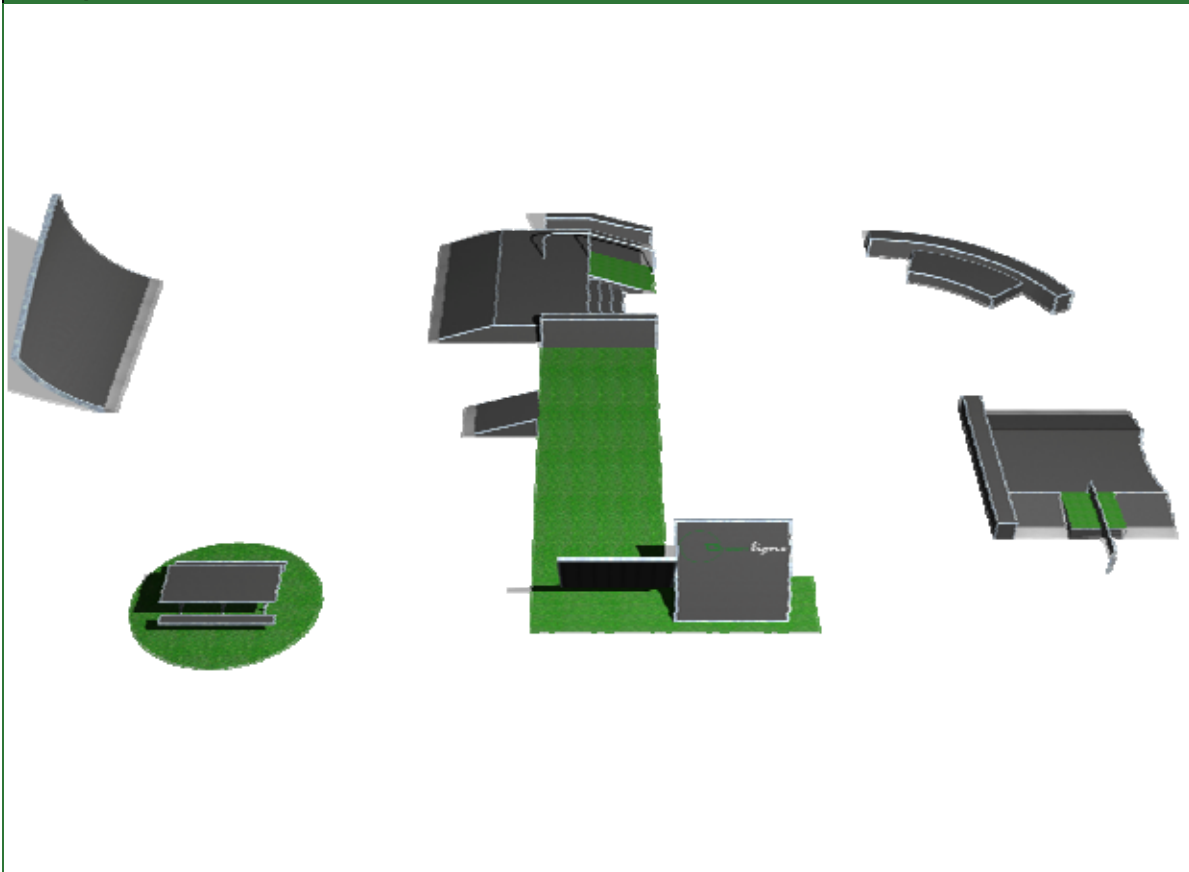


▲
16m
▼

	L	W	m ²		GRP	concrete
total:	25,00	16,00	400	Nr.	0,00 Sp-4-K	0,00 Sp-4-C

Skate park 6

◀ 30m ▶



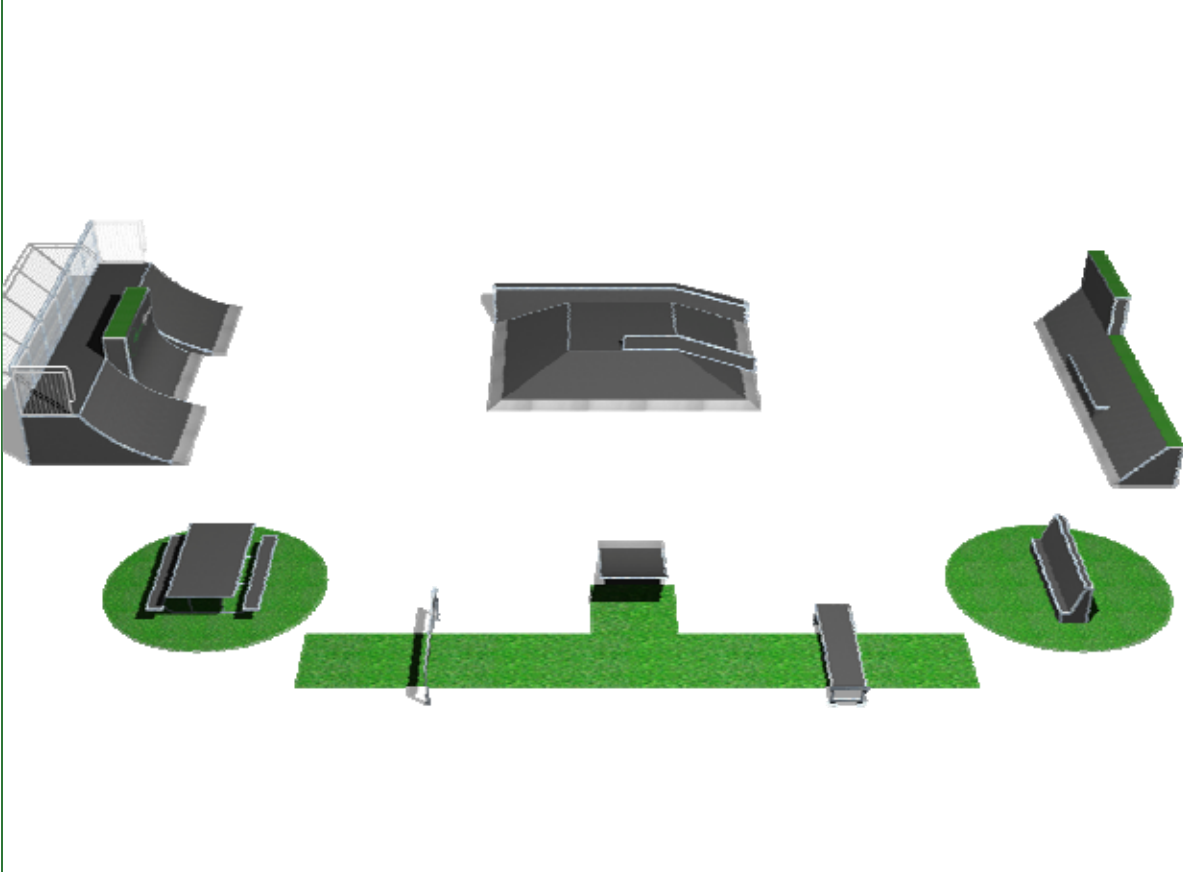
▲
20m
▼

	L	W	m ²		GRP	concrete
total:	30,00	20,00	600	Nr.	0,00 Sp-6-K	0,00 Sp-6-C

Skate park Equipment

skate park 8

◀ 25m ▶

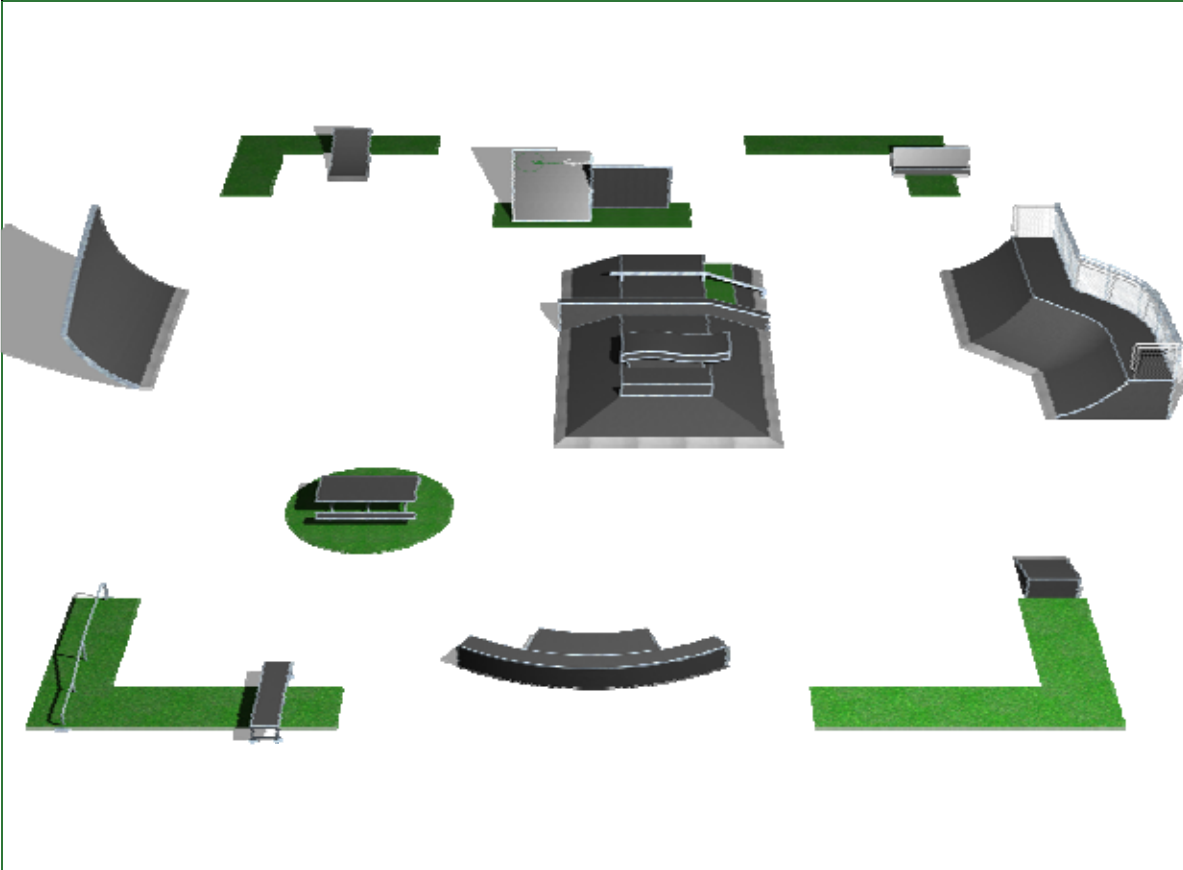


▲
22m
▼

	L	W	m ²		GRP	concrete
total:	25,00	22,00	550	Nr.	0,00 Sp-P8-K	0,00 Sp-P8-C

Plaza 2

◀ 30m ▶



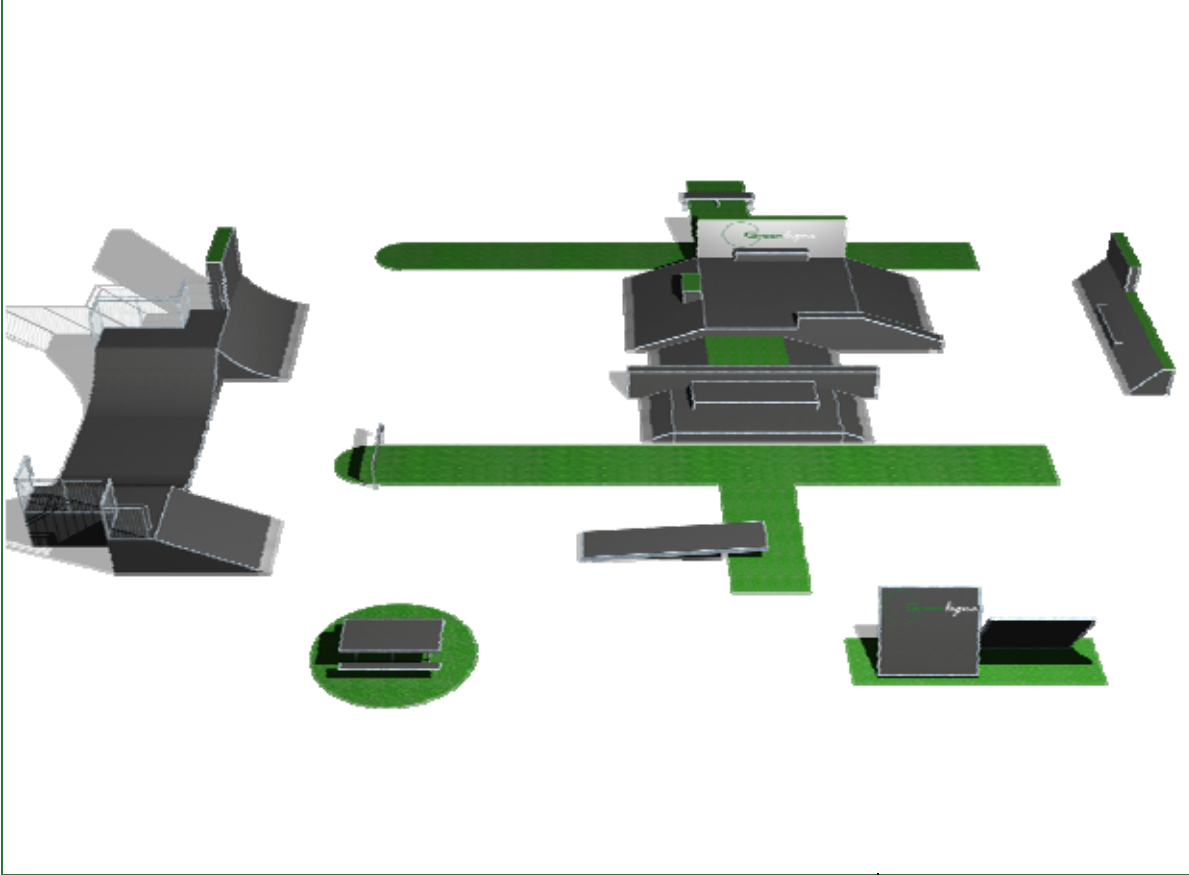
▲
40m
▼

	L	W	m ²		GRP	concrete
total:	30,00	40,00	1200	Nr.	0,00 Sp-P2-K	0,00 Sp-P2-C

Skate park Equipment

Plaza 3

◀ 35m ▶

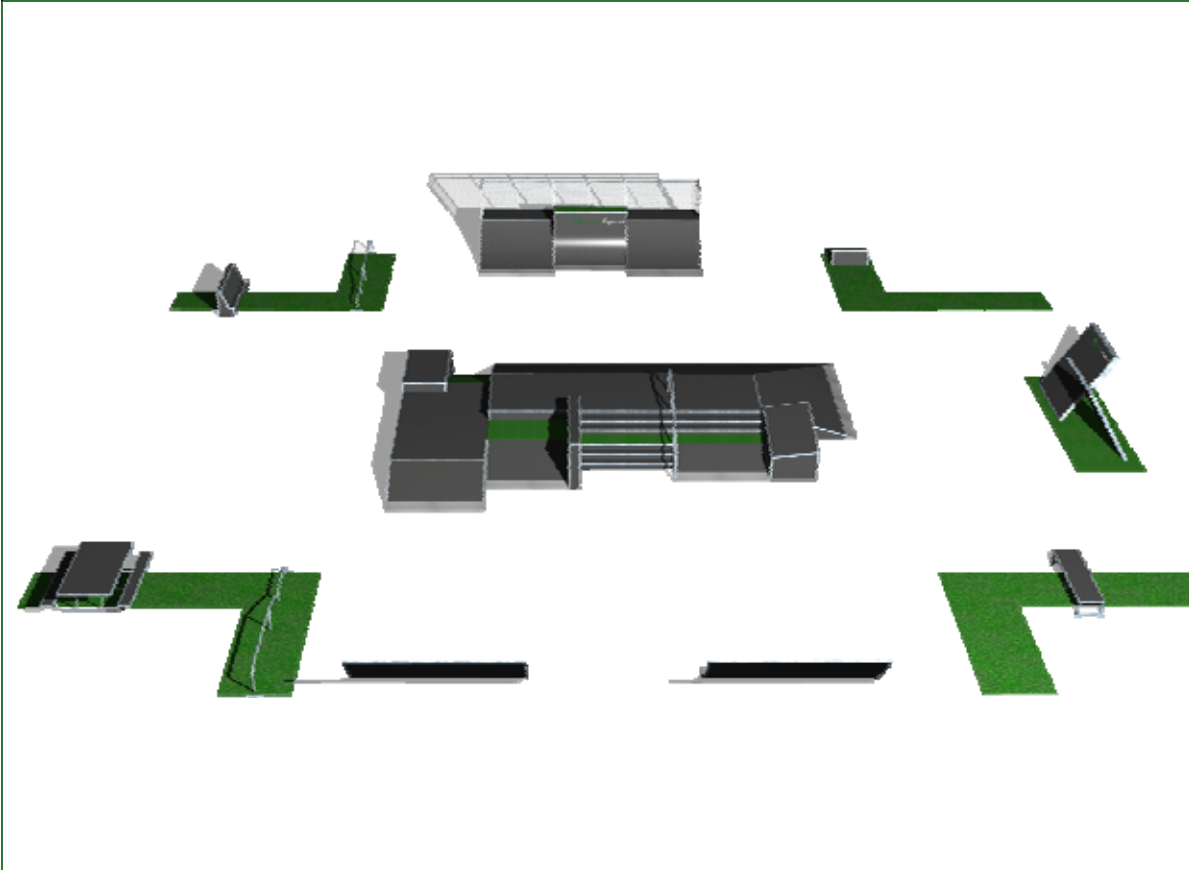


▲
30m
▼

	L	W	m ²		GRP	concrete
total:	35,00	30,00	1050	Nr.	0,00 Sp-P3-K	0,00 Sp-P3-C

street 1

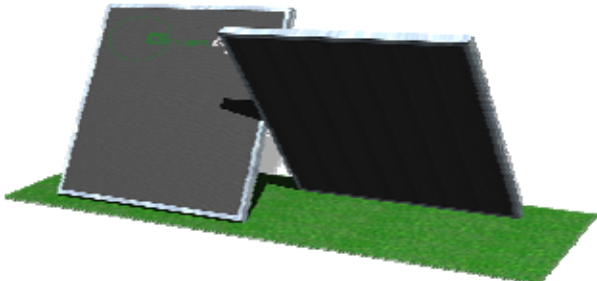
◀ 30m ▶

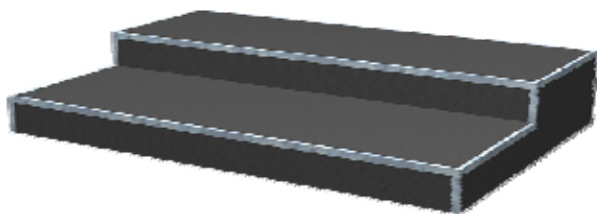


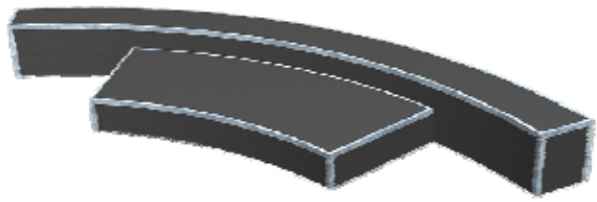
▲
40m
▼


	L	W	m ²		GRP	concrete
total:	30,00	40,00	1200	Nr.	0,00 Sp-S1-K	0,00 Sp-S1-C

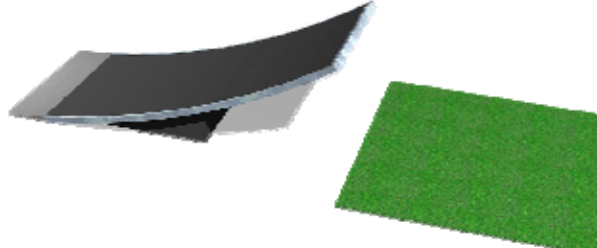
Obstacles

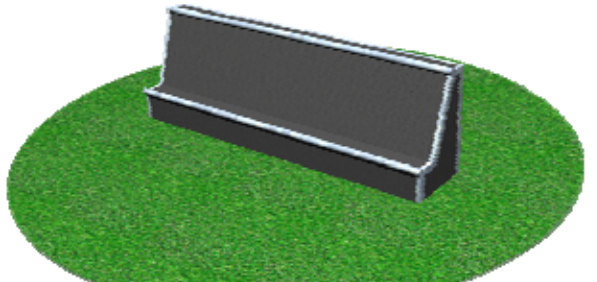
X-treme	L	W	H	surface		
				GRP	concrete	
	4,80	1,20	1,00	Nr.	0,00	0,00
	01-1200100-K 01-1200100-C					

manual bad	L	W	H		GRP	concrete
	3,60	2,40	0,25 0,50	Nr.	0,00	0,00
	02-1200050-K 02-1200050-C					

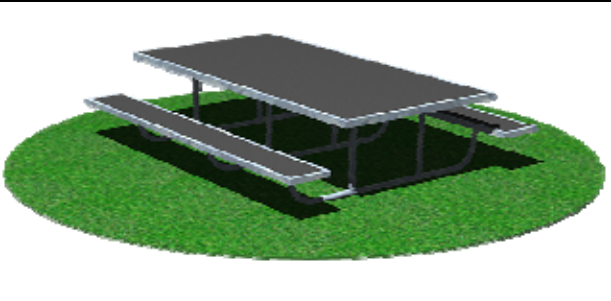
rounded Curb	L	W	H		GRP	concrete
	5,80	1,80	0,35 0,60	Nr.	0,00	0,00
	03-1200060-K 03-1200060-C					

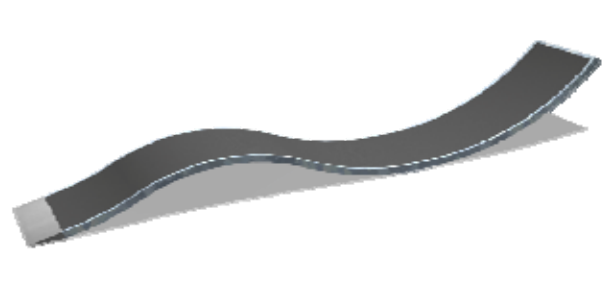
Rail B	L	W	H		GRP	concrete
	4,80		0,30 0,50	Nr.	0,00	
	04-0480050					

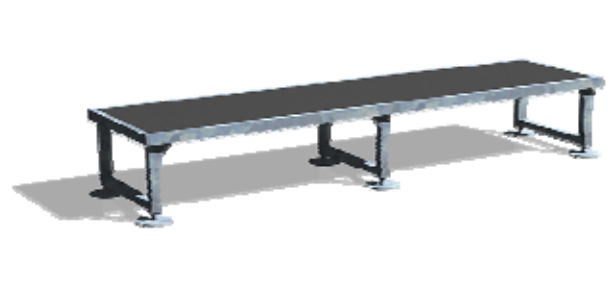
Kicker	L	W	H		GRP	concrete
	2,40	1,20	0,90	Nr.	0,00	0,00
	05-1200090-K 05-1200090-C					

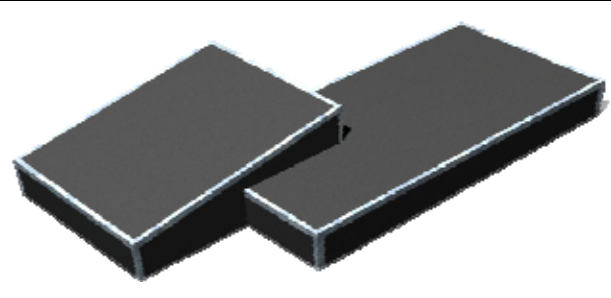
barrier	L	W	H		GRP	concrete
	2,40	0,50	0,80	Nr.	0,00	0,00
	06-0500080-K 06-0500080-C					

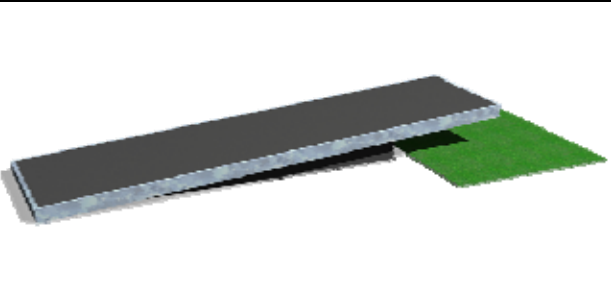
urban street furniture

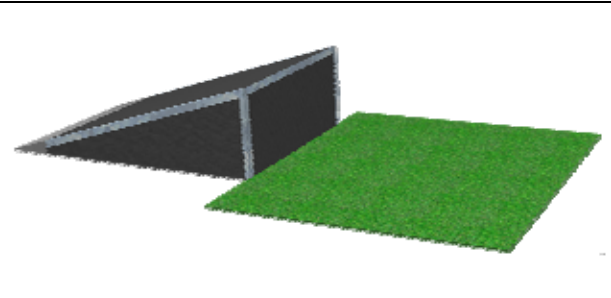
picnic Table	L	W	H	surface		
				GRP	concrete	
	2,40	1,80	0,60	Nr.	0,00	0,00
					07-1200060-K	07-1200060-C

new Wave	L	W	H	surface		
				GRP	concrete	
	6,30	1,20	0,60 0,90	Nr.	0,00	0,00
					08-1200090-K	08-1200090-C

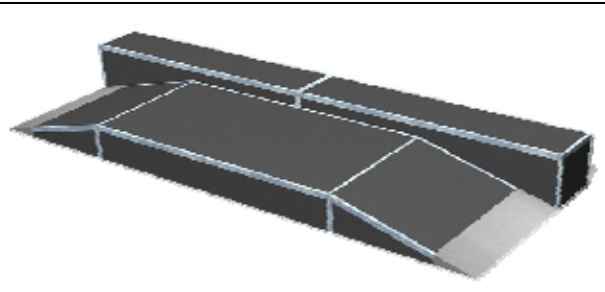
Bench	L	W	H	surface		
				GRP	concrete	
	2,40	0,60	0,40	Nr.	0,00	0,00
					09-0600040-K	09-0600040-C

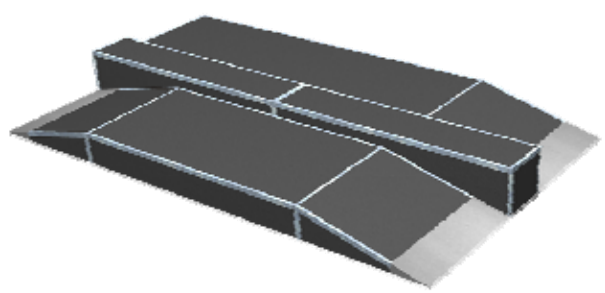
manual Bad	L	W	H	surface		
				GRP	concrete	
	3,20	1,80	0,35 0,60	Nr.	0,00	0,00
					10-0600040-K	10-0600040-C

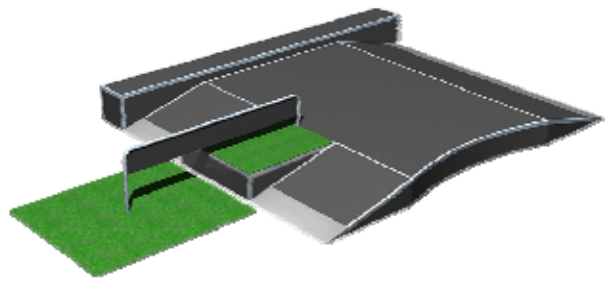
manual bad II	L	W	H	surface		
				GRP	concrete	
	4,80	1,20	0,60	Nr.	0,00	0,00
					11-1200060-K	11-1200060-C

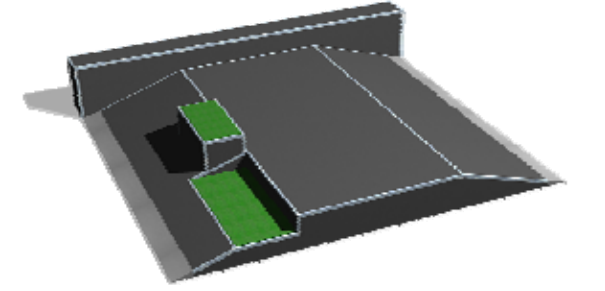
Bank	L	W	H	surface		
				GRP	concrete	
	1,80	1,20	0,60	Nr.	0,00	0,00
					12-1200060-K	12-1200060-C

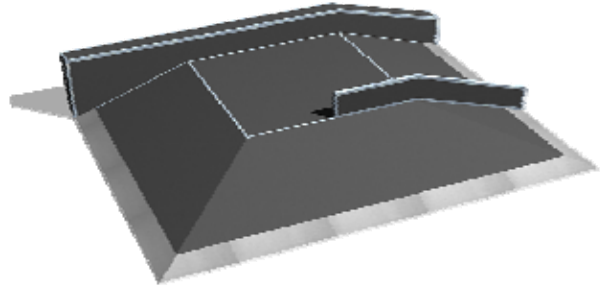
Fun-Box

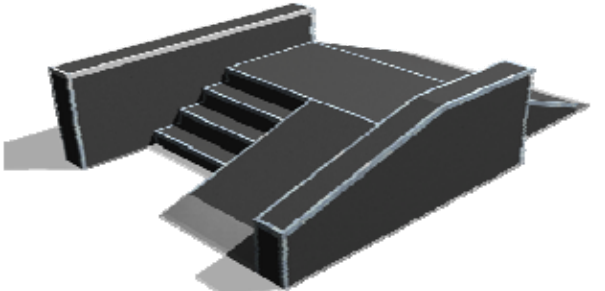
Launch-Box II	L	W	H	surface		
				GRP	concrete	
	4,80	1,70	0,35	Nr.	0,00	0,00
					13-1200035-K	13-1200035-C

Launch-Box VI	L	W	H	surface		
				GRP	concrete	
	4,80	2,90	0,35	Nr.	0,00	0,00
					14-1200035-K	14-1200035-C

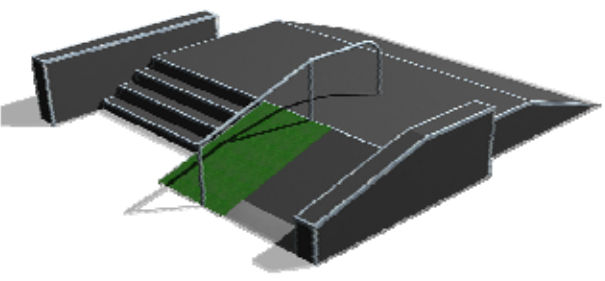
Fun-Box with Rail & Curb	L	W	H	surface		
				GRP	concrete	
	4,80	4,20	0,35	Nr.	0,00	0,00
					15-1200060-K	15-1200060-C

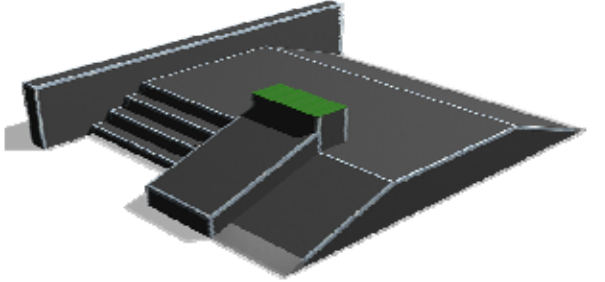
Custom 2	L	W	H	surface		
				GRP	concrete	
	5,30	6,00	0,60	Nr.	0,00	0,00
					16-1200060-K	16-1200060-C

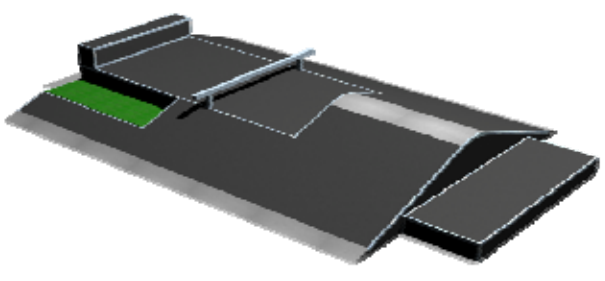
Pyramide	L	W	H	surface		
				GRP	concrete	
	6,00	4,40	0,60	Nr.	0,00	0,00
					17-1200060-K	17-1200060-C

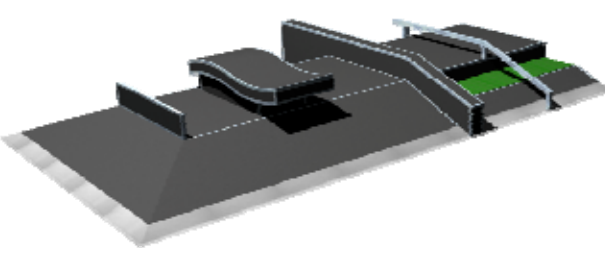
fly over	L	W	H	surface		
				GRP	concrete	
	4,60	3,00	0,60	Nr.	0,00	0,00
					18-1200060-K	18-1200060-C

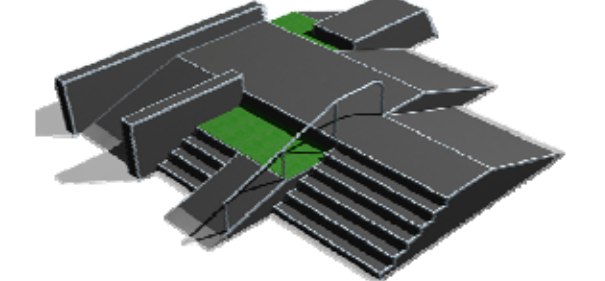
Fun-Box

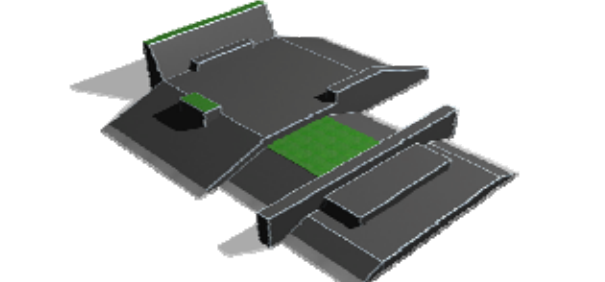
model 1	L	W	H	surface		
				GRP	concrete	
	5,80	5,40	0,60	Nr.	0,00	0,00
					19-1200060-K	19-1200060-C

model 2	L	W	H	surface		
				GRP	concrete	
	6,30	5,10	0,60	Nr.	0,00	0,00
					20-1200060-K	20-1200060-C

model 3	L	W	H	surface		
				GRP	concrete	
	8,40	5,80	0,60 0,95	Nr.	0,00	0,00
					21-1200060-K	21-1200060-C

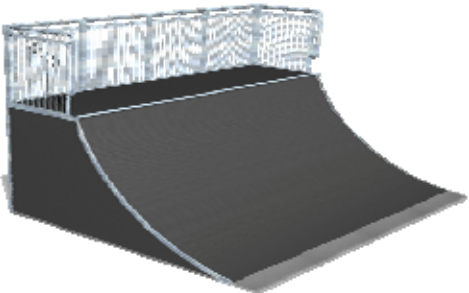
model 4	L	W	H	surface		
				GRP	concrete	
	10,50	6,00	0,60	Nr.	0,00	0,00
					22-1200060-K	22-1200060-C

model 5	L	W	H	surface		
				GRP	concrete	
	8,70	7,20	0,60 0,90	Nr.	0,00	0,00
					23-1200090-K	23-1200090-C

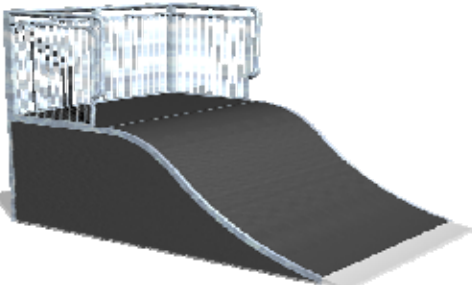
model 6	L	W	H	surface		
				GRP	concrete	
	10,50	9,60	0,35 0,60 0,90	Nr.	0,00	0,00
					24-1200090-K	24-1200090-C

Ramp`s

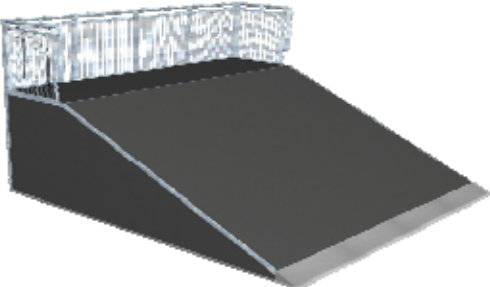
Quarter-Pipe

	L	W	H	Nr.	surface	
					GRP	concrete
	3,60	2,40	1,25	Nr.	0,00 25-1200125-K	0,00 25-1200125-C
	4,00	3,60	1,80	Nr.	0,00 25-1200180-K	0,00 25-1200180-C
	4,00	4,80	1,80	Nr.	0,00 25-1204180-K	0,00 25-1204180-C

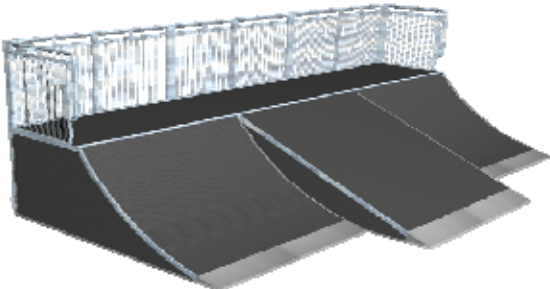
Roll-In Ramp

	4,00	2,40	1,25	Nr.	0,00 26-1200125-K	0,00 26-1200125-C

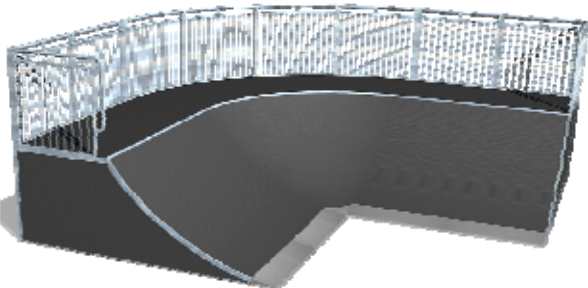
Bank

	4,00	2,40	1,25	Nr.	0,00 27-1200125-K	0,00 27-1200125-C
	5,00	3,60	1,80	Nr.	0,00 27-1200180-K	0,00 27-1200180-C
	5,00	4,80	1,80	Nr.	0,00 27-1204180-K	0,00 27-1204180-C

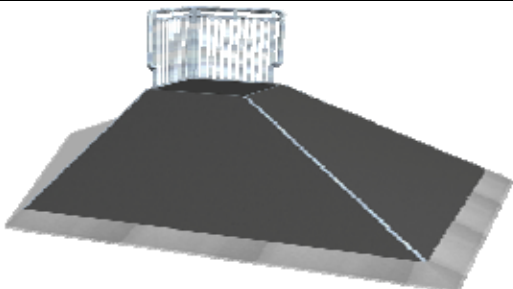
Quarter-Bank-Quarter

	4,00	7,20	1,25	Nr.	0,00 28-1200125-K	0,00 28-1200125-C

Corner-Ramp

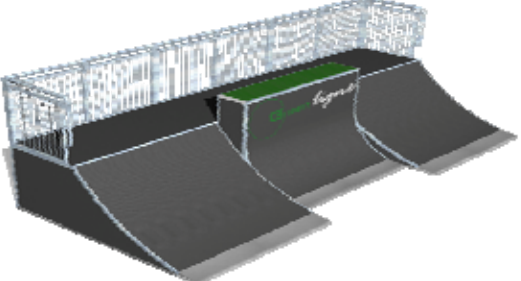
	5,60	5,60	1,25	Nr.	0,00 29-1200125-K	0,00 29-1200125-C

Corner-Bank

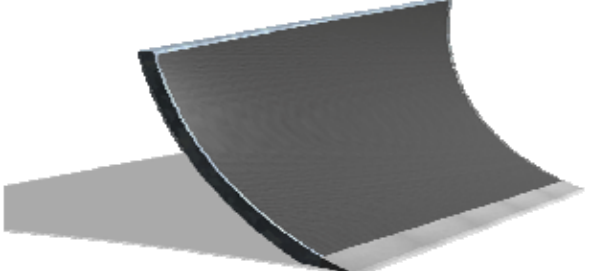
	3,50	3,50	0,90	Nr.	0,00 30-1200090-K	0,00 30-1200090-C
	4,00	4,00	1,25	Nr.	0,00 30-1200125-K	0,00 30-1200125-C

Ramp`s

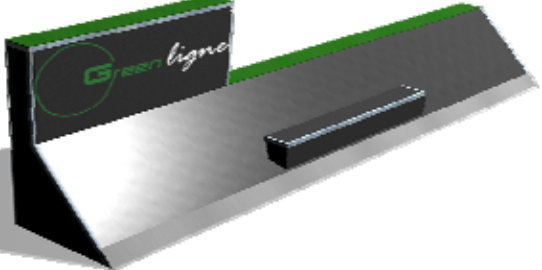
Quarter-wall ride

	L	W	H	surface	
				GRP	concrete
	3,60	7,20	1,25	0,00	0,00
	Nr.			31-1200125-K	31-1200125-C

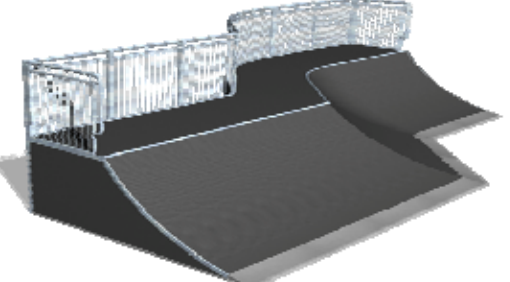
big Wave

	L	W	H	surface	
				GRP	concrete
	2,00	6,00	1,80 2,50	0,00	0,00
	Nr.			32-1200250-K	32-1200250-C

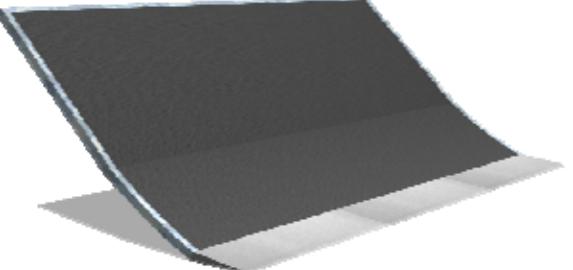
China-Bank

	L	W	H	surface	
				GRP	concrete
	1,50	7,20	1,00	0,00	0,00
	Nr.			33-1200125-K	33-1200125-C

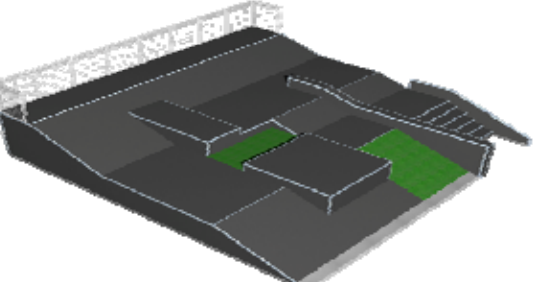
Quarter-Pipe with Hip

	L	W	H	surface	
				GRP	concrete
	5,00	9,00	1,25	0,00	0,00
	Nr.			34-1200125-K	34-1200125-C

wall-Ramp

	L	W	H	surface	
				GRP	concrete
	1,80	3,60	1,50	0,00	0,00
	Nr.			35-1200108-K	35-1200180-C

Plaza Bank

	L	W	H	surface	
				GRP	concrete
	9,70	9,60	0,90 1,25 1,80	0,00	0,00
	Nr.			36-1200180-K	36-1200180-C

Half-Pipe`s

Mini-Pipe



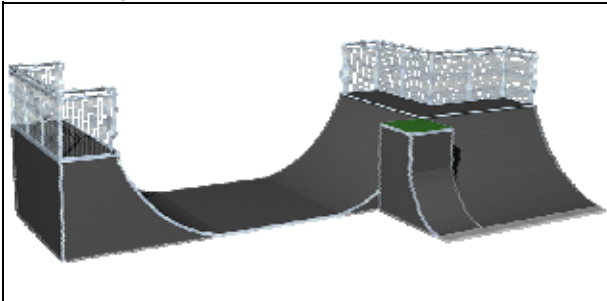
L	W	H	Nr.	surface	
				GRP	concrete
10,00	3,60	1,25	Nr.	0,00 37-1200125-K	0,00 37-1200125-C
10,00	4,80	1,25	Nr.	0,00 37-1204125-K	0,00 37-1204125-C

Midi-Pipe



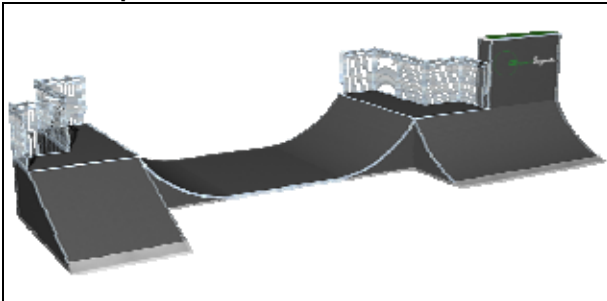
10,50	3,60	1,80	Nr.	0,00 38-1200180-K	0,00 38-1200180-C
10,50	4,80	1,80	Nr.	0,00 38-1204180-K	0,00 38-1204180-C

Kombi-Pipe



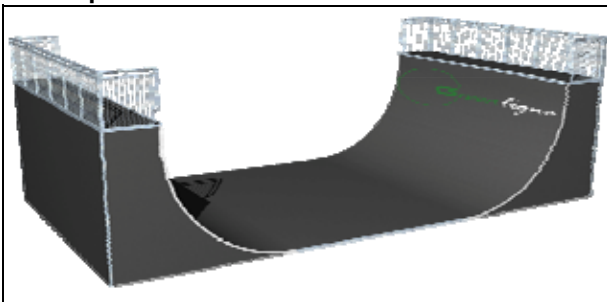
13,00	6,50	1,80	Nr.	0,00 39-1200180-K	0,00 39-1200180-C
-------	------	------	-----	-----------------------------	-----------------------------

Kombi-Pipe II



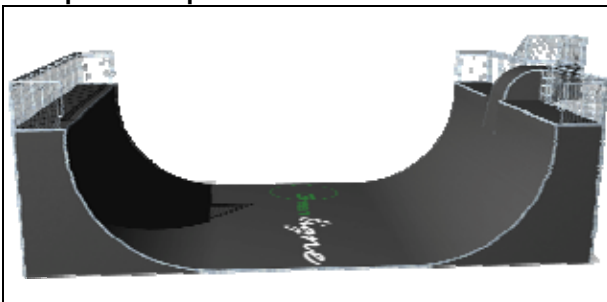
14,20	6,20	0,90 1,25	Nr.	0,00 40-1200125-K	0,00 40-1200125-C
-------	------	--------------	-----	-----------------------------	-----------------------------

Half-Pipe



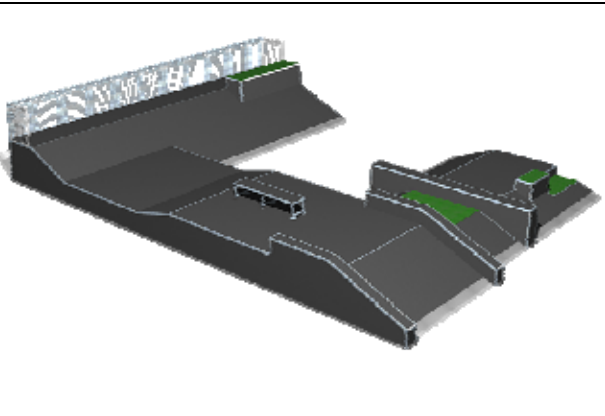
13,50	7,20	3,45	Nr.	0,00 41-1200345-K	0,00 41-1200345-C
-------	------	------	-----	-----------------------------	-----------------------------

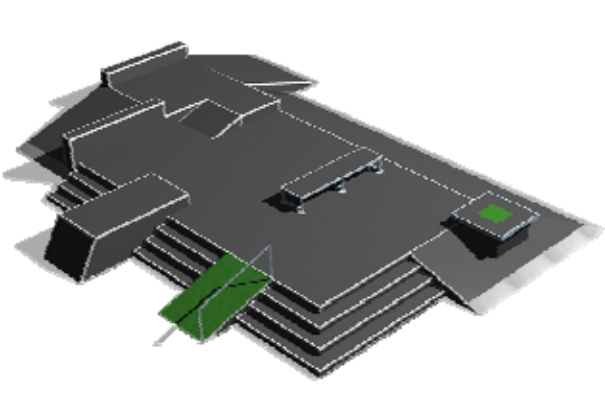
Competition Pipe with Channel and Roll In

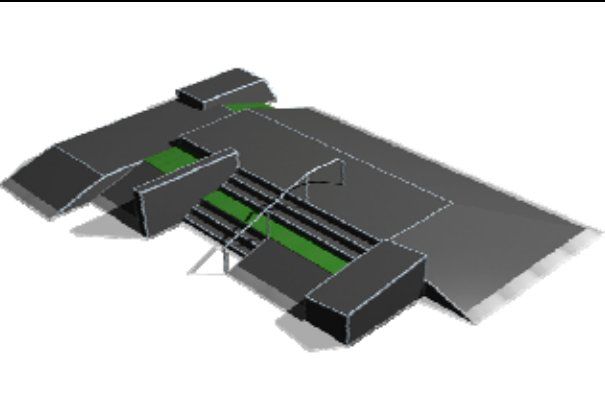


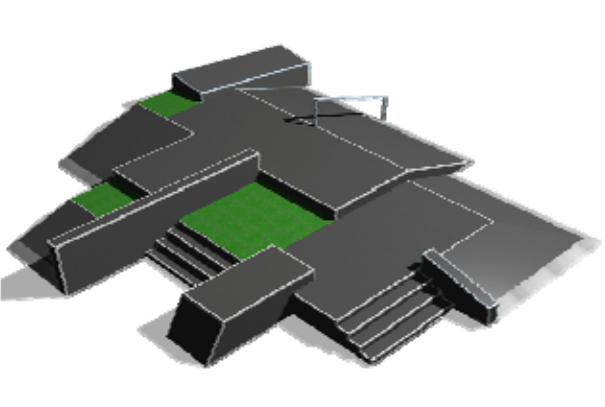
14,50	12,00	3,90 4,90	Nr.	0,00 42-1200390-K	0,00 42-1200390-C
-------	-------	--------------	-----	-----------------------------	-----------------------------

Plaza

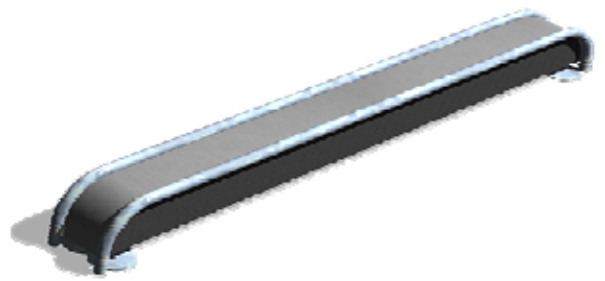
P1	L	W	H	surface		
				GRP	concrete	
	16,50	13,20	0,60 0,90 1,25	Nr.	0,00 43-1200125-K	0,00 43-1200125-C

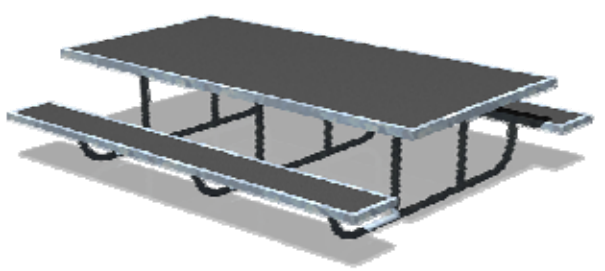
P2	L	W	H	surface		
				GRP	concrete	
	11,00	9,50	0,60 0,90	Nr.	0,00 44-1200090-K	0,00 44-1200090-C

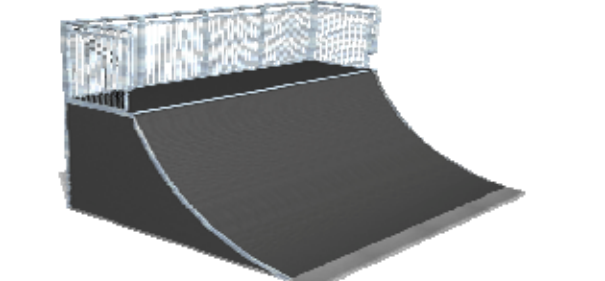
P3	L	W	H	surface		
				GRP	concrete	
	12,00	9,00	0,60 0,90	Nr.	0,00 45-1200090-K	0,00 45-1200090-C

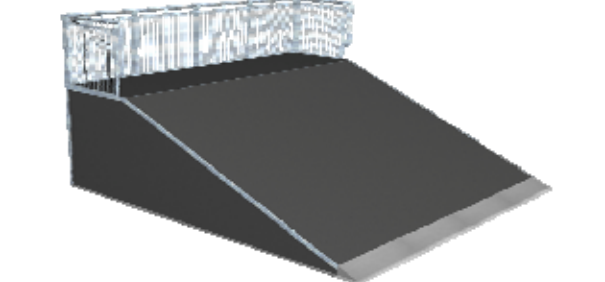
P4	L	W	H	surface		
				GRP	concrete	
	11,00	10,00	0,60 0,90	Nr.	0,00 46-1200090-K	0,00 46-1200090-C

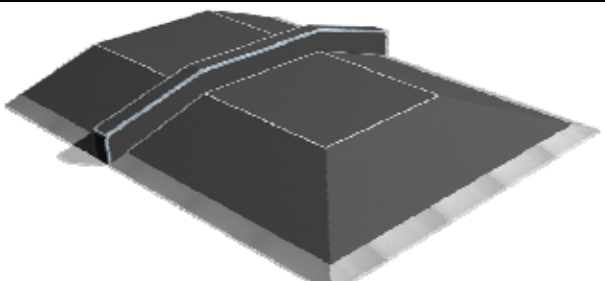
mobile Skate park


curb	L	W	H	surface	
				GRP	
	2,40	0,30	0,25		

picnic-Table	L	W	H	surface	
				GRP	
	1,90	1,30	0,70		

Quarter-Pipe	L	W	H	surface	
				GRP	
	3,00	2,40	1,20		

Bank	L	W	H	surface	
				GRP	
	3,30	2,40	1,20		

Fun-Box	L	W	H	surface	
				GRP	
	6,50	5,60	0,60		

mobile street Skate park	L	W	H	surface	
				GRP	
	4,70	2,20	3,00	0,00	SP-M500-K

skate park Technique & Details

Skate park equipment for **Inline - Skateboard - BMX** facilities in accordance to **EN14974**

Construction

Hot-dip galvanized steel pipe construction with height adjusting foot supports for level regulation
360° steel protection for skating surfaces

skating surfaces:

- ▶ **fibreglass:** 10mm reinforced fibreglass boards in all RAL colours
standard colour: grey
double noise protection layer with vibration absorber
- ▶ **concrete:** 10mm fibreglass reinforced concrete boards
standard colour: grey
double noise protection layer with vibration absorber

side skirts:

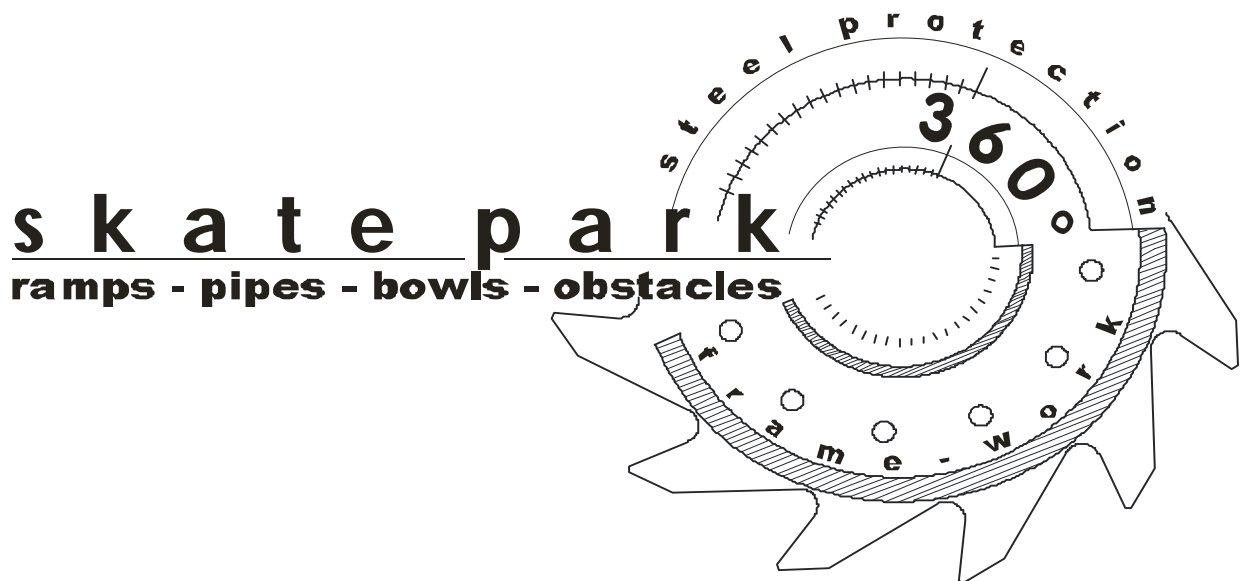
- ▶ **fibreglass:** 8mm reinforced fibreglass boards in all RAL colours
standard colour: grey
- ▶ **concrete:** 8mm fibreglass reinforced concrete boards in all RAL colours
standard colour: grey

approaching plates:

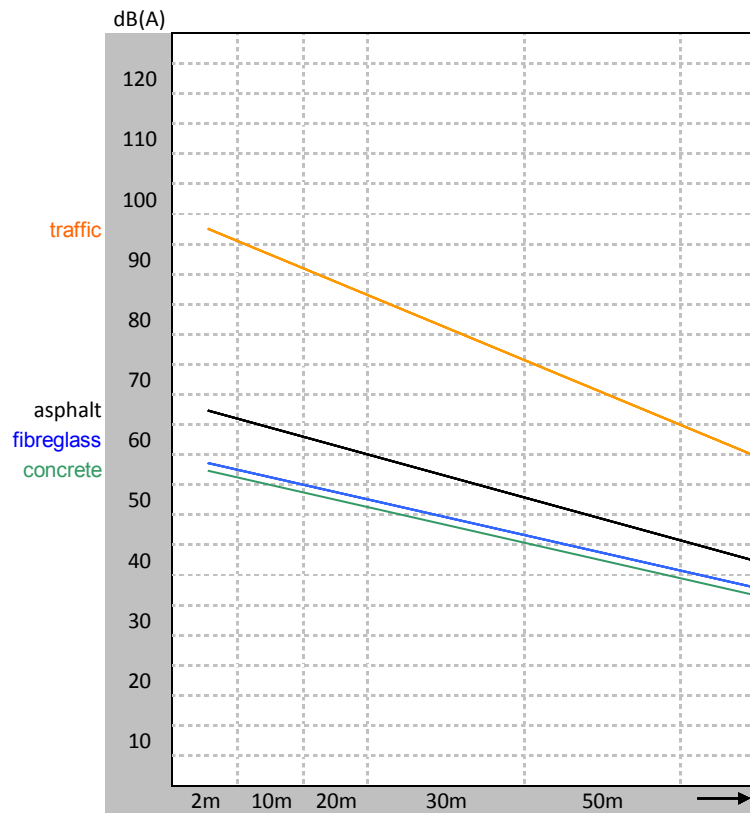
- ▶ **stainless steel:** 3mm pre-formed stainless steel plates
for optimum ramp approach



green area



sound level of skate equipment dB(A)



Mean average value of energetic noise from skate ramps with skateboarders. Using casual plastic wheels
 Results will be affected depending upon various wheel materials and are subject to change.
 Noise production of inliners is much lower than from skateboarders and have been not taken into account.
 Difference are about 20%

Mean average value: with high traffic in a distance of 10m		dB(A)
	skate park	ca. 70
	play ground	ca. 60